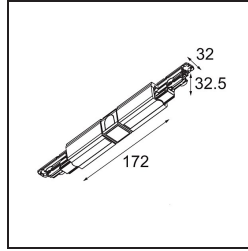
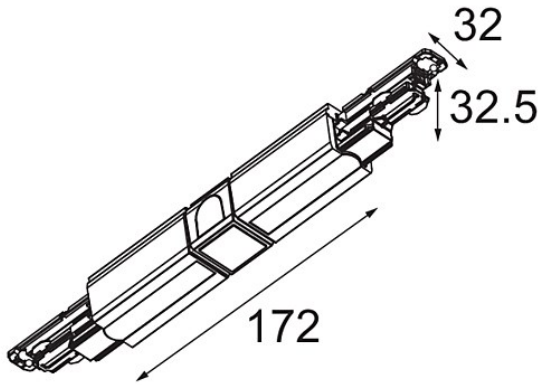


Date
Customer
Project
Type

*FFD\_Track 230V Dali Connection 180° Electrical/Mechanical (For Surface Mounting) Black*



**Specifications**

Material	14210702
Lamp Included	No
Number of Light Sources	0
Input Voltage	230V
Electrical Class	I
IP Rating	20
Glow wire rating (°C)	960
Indoor/Outdoor	Indoor
Adjustability	Not Applicable
Primary Colour & Primary Finish	Black,
Gross weight (g)	183.0