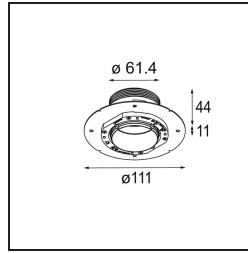
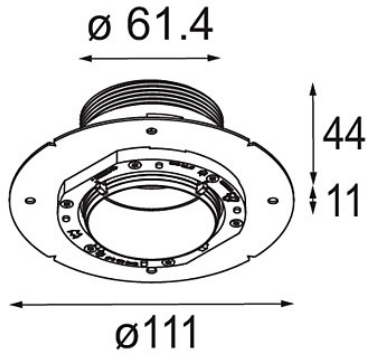


Date \_\_\_\_\_  
Customer \_\_\_\_\_  
Project \_\_\_\_\_  
Type \_\_\_\_\_

*Concrete Ring 50 Standard Installation Housing*



**Specifications**

Material	13642130
Lamp Included	No
Number of Light Sources	0
IP Rating	20
Glow wire rating (°C)	960
Indoor/Outdoor	Indoor
Application	Ceiling, Wall
Cut-out size (mm)	79
Adjustability	Not Applicable
Gross weight (g)	136.0