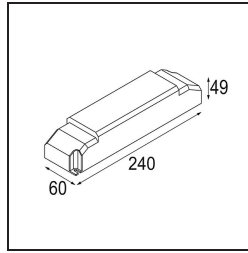
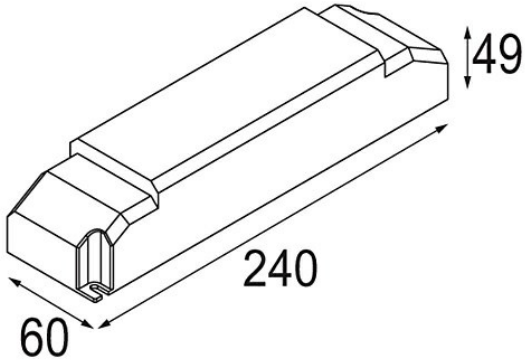


Date _____
Customer _____
Project _____
Type _____

FFD_LED Driver Constant Voltage 48V Non-Dim 150W



Specifications

Material	13550730
Lamp Included	No
Number of Light Sources	0
Electrical Class	II
IP Rating	20
Glow wire rating (°C)	960
Dimming Protocol	Non-Dim
Indoor/Outdoor	Indoor
Adjustability	Not Applicable
Gross weight (g)	345.0
Input voltage	198-264V AC / 50-60Hz
Ambient temperature	-40°C to +45°C
Power factor	0.98
Max. drivers on MCB 16A type B	15