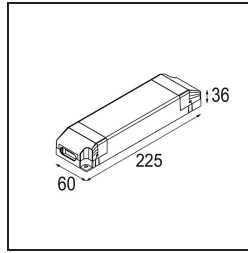
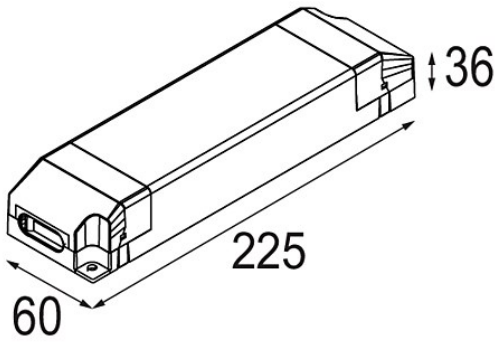


Date
Customer
Project
Type

FFD_LED driver 48V 70W



Specifications

Material	13550630
Lamp Included	No
Number of Light Sources	0
Electrical Class	II
IP Rating	20
Glow wire rating (°C)	960
Dimming Protocol	Non-Dim
Indoor/Outdoor	Indoor
Adjustability	Not Applicable
Gross weight (g)	290.0
Input voltage	198-264V AC / 50-60Hz
Ambient temperature	-40°C to +45°C
Power factor	0.97
Max. drivers on MCB 16A type B	15