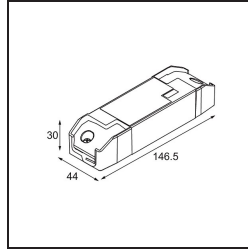
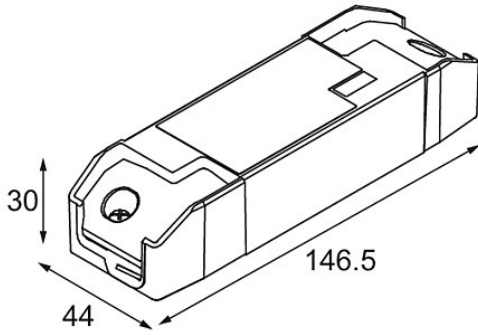


Date
Customer
Project
Type

*LED Driver Constant Current Casambi 300-1050mA 16-38W*



**Specifications**

Material	13470030
Lamp Included	No
Number of Light Sources	0
Electrical Class	II
IP Rating	20
Glow wire rating (°C)	960
Dimming Protocol	Casambi
Indoor/Outdoor	Indoor
Adjustability	Not Applicable
Gross weight (g)	142.0
Input voltage	220-240V AC / 50-60Hz
Ambient temperature	-25°C to +45°C
Power factor	0.95
Driver fits through cut-out hole (mm)	54.0
Driver dimming technology	AM
Driver 2x LED output	No
Max. drivers on MCB 16A type B	50