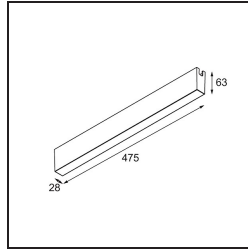
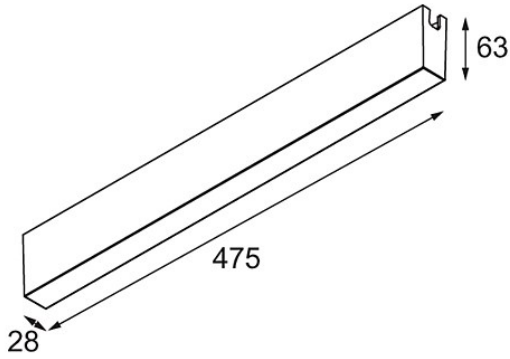


Date
Customer
Project
Type

LED Driver Constant Voltage 48V Surface (For Suspended Mounting) 100W (Incl. Black Power Feed Cable 2000)
White Structure



Specifications

Material	13453409
Lamp Included	No
Number of Light Sources	0
Input Voltage	230V
Electrical Class	I
IP Rating	20
Glow wire rating (°C)	960
Indoor/Outdoor	Indoor
Mounting	Surface
Adjustability	Not Applicable
Primary Colour & Primary Finish	White, Structure
Gross weight (g)	1332.0

Specifications