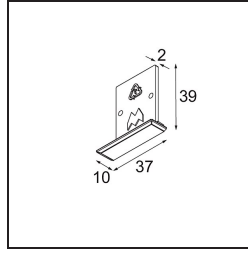
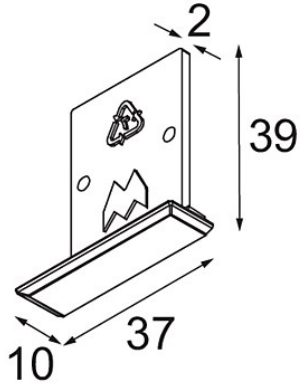


Date _____
Customer _____
Project _____
Type _____

Track 48V Endplate (For Recessed Mounting) (2) Black Structure



Specifications

Material	13419432
Lamp Included	No
Number of Light Sources	0
IP Rating	20
Glow wire rating (°C)	960
Indoor/Outdoor	Indoor
Application	Ceiling, Wall
Adjustability	Not Applicable
Primary Colour & Primary Finish	Black, Structure
Gross weight (g)	18.0