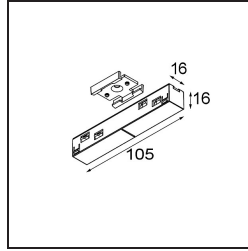
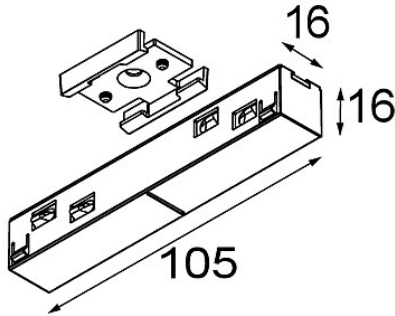


Date
Customer
Project
Type

*Track 48V Connection 180° Electrical/Mechanical (For Suspended Mounting) White Structure*



**Specifications**

Material	13419009
Lamp Included	No
Number of Light Sources	0
Input Voltage	48Vdc
Electrical Class	III
IP Rating	20
Glow wire rating (°C)	960
Indoor/Outdoor	Indoor
Adjustability	Not Applicable
Primary Colour & Primary Finish	White, Structure
Gross weight (g)	78.0