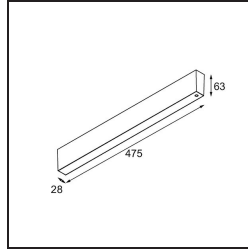
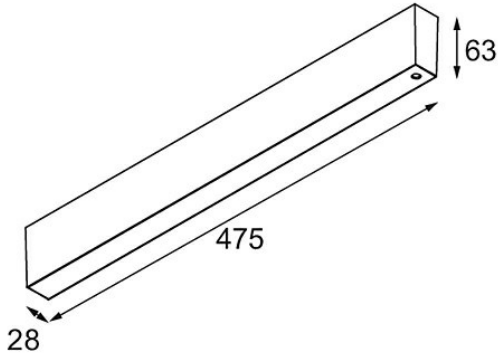


Date _____
Customer _____
Project _____
Type _____

FFD_Pista surface mounted LED driver 48V 75W (for suspended installation) white struc



Specifications

Material	13418509
Lamp Included	No
Number of Light Sources	0
Input Voltage	230V
Electrical Class	I
IP Rating	20
Glow wire rating (°C)	960
Indoor/Outdoor	Indoor
Application	Ceiling, Wall
Mounting	Surface
Adjustability	Not Applicable
Primary Colour & Primary Finish	White, Structure
Gross weight (g)	1275.0