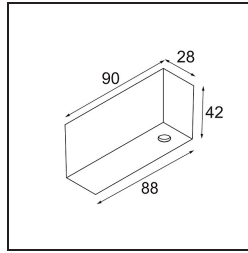
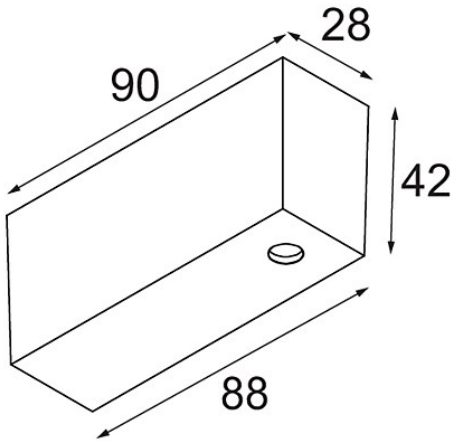


Date \_\_\_\_\_  
Customer \_\_\_\_\_  
Project \_\_\_\_\_  
Type \_\_\_\_\_

*Track 48V Connection Housing Surface 2000 Connection and Power Feed Cable 4x1,5 Black Structure*



**Specifications**

Material	13411532
Lamp Included	No
Number of Light Sources	0
Input Voltage	48Vdc
Electrical Class	III
IP Rating	20
Glow wire rating (°C)	960
Indoor/Outdoor	Indoor
Mounting	Surface
Adjustability	Not Applicable
Primary Colour & Primary Finish	Black, Structure
Gross weight (g)	248.0