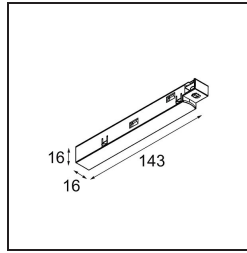
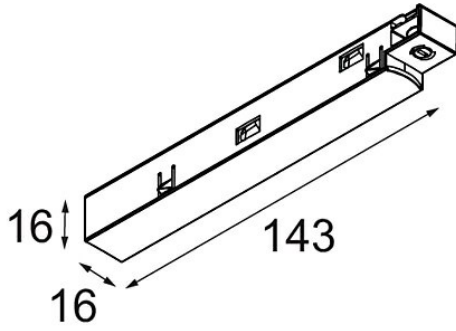


Date _____
Customer _____
Project _____
Type _____

Track 48V Power Feed Left White Structure



Specifications

Material	13410809
Lamp Included	No
Number of Light Sources	0
Optic	Reflector
Input Voltage	48Vdc
Electrical Class	III
IP Rating	20
Glow wire rating (°C)	960
Indoor/Outdoor	Indoor
Adjustability	Not Applicable
Primary Colour & Primary Finish	White, Structure
Gross weight (g)	42.0