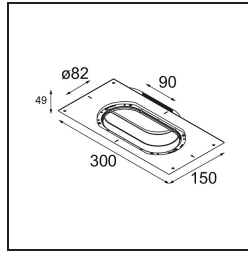
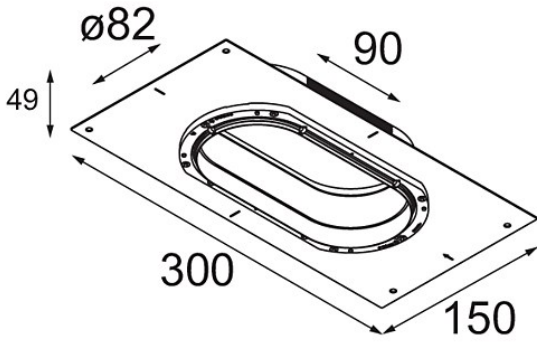


Date \_\_\_\_\_  
Customer \_\_\_\_\_  
Project \_\_\_\_\_  
Type \_\_\_\_\_

Concrete Kit 82 300x150 2x



**Specifications**

Material	13241230
Lamp Included	No
Number of Light Sources	2
IP Rating	20
Glow wire rating (°C)	960
Indoor/Outdoor	Indoor
Application	Ceiling, Wall
Adjustability	Not Applicable
Gross weight (g)	495.0