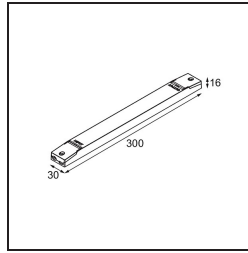
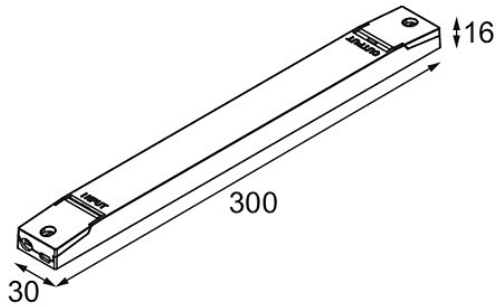


Date _____
Customer _____
Project _____
Type _____

LED Driver Constant Voltage 24V Non-Dim/0-10V/1-10V 60W



Specifications

Material	12409730
Lamp Included	No
Number of Light Sources	0
Electrical Class	II
IP Rating	20
Glow wire rating (°C)	960
Dimming Protocol	Non-Dim, 0-10V, 1-10V
Indoor/Outdoor	Indoor
Adjustability	Not Applicable
Gross weight (g)	200.0
Input voltage	220-240V AC / 50-60Hz
Ambient temperature	-20°C to +45°C
Power factor	0.91
Driver dimming technology	PWM
Max. drivers on MCB 16A type B	29