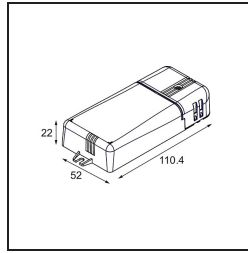
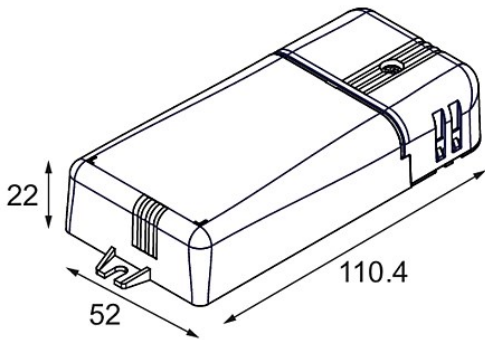


Date _____
Customer _____
Project _____
Type _____

LED Driver Constant Current DALI 250-700mA 10-20W WD



Specifications

Material	12407930
Lamp Included	No
Number of Light Sources	0
Electrical Class	II
IP Rating	20
Glow wire rating (°C)	960
Dimming Protocol	DALI
DALI Standard	DALI-2
Indoor/Outdoor	Indoor
Adjustability	Not Applicable
Gross weight (g)	108.0
Input voltage	220-240V AC / 50-60Hz
Ambient temperature	-25°C to +45°C
Power factor	0.92
Driver fits through cut-out hole (mm)	55.0
Driver dimming technology	AM
Driver 2x LED output	No
Max. drivers on MCB 16A type B	50