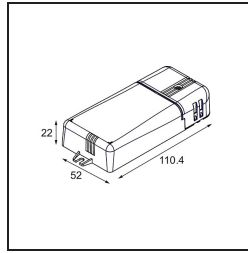
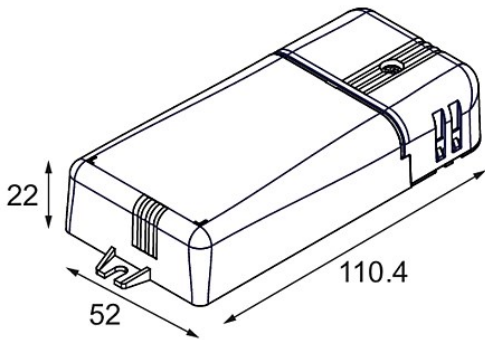


| |
|----------|
| Date |
| Customer |
| Project |
| Type |

LED Driver Constant Current 0-10V/1-10V/Push-Dim 250-900mA 13-20W



Specifications

| | |
|---------------------------------------|------------------------|
| Material | 12407730 |
| Lamp Included | No |
| Number of Light Sources | 0 |
| Electrical Class | II |
| IP Rating | 20 |
| Glow wire rating (°C) | 960 |
| Dimming Protocol | 0-10V, 1-10V, Push-Dim |
| Indoor/Outdoor | Indoor |
| Adjustability | Not Applicable |
| Gross weight (g) | 108.0 |
| Input voltage | 220-240V AC / 50-60Hz |
| Ambient temperature | -25°C to +50°C |
| Power factor | 0.95 |
| Driver fits through cut-out hole (mm) | 55.0 |
| Driver dimming technology | PWM |
| Driver 2x LED output | No |
| Max. drivers on MCB 16A type B | 50 |