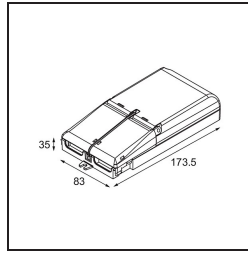
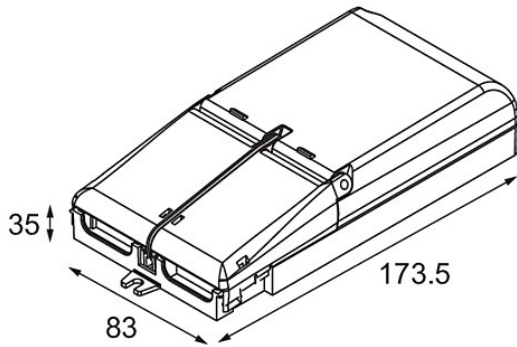


Date
Customer
Project
Type

FFD_LED Driver Constant Current Trailing Edge/ Push-Dim 1050-2100mA 45-50W



Specifications

Material	12405730
Lamp Included	No
Number of Light Sources	0
Electrical Class	II
IP Rating	20
Glow wire rating (°C)	960
Dimming Protocol	Trailing Edge, Push-Dim
Indoor/Outdoor	Indoor
Adjustability	Not Applicable
Gross weight (g)	260.0
Input voltage	220-240V AC / 50-60Hz
Ambient temperature	-25°C to +50°C
Power factor	0.88
Driver fits through cut-out hole (mm)	88.0
Driver dimming technology	PWM
Driver 2x LED output	No
Max. drivers on MCB 16A type B	30