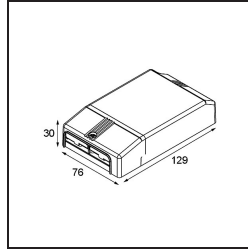
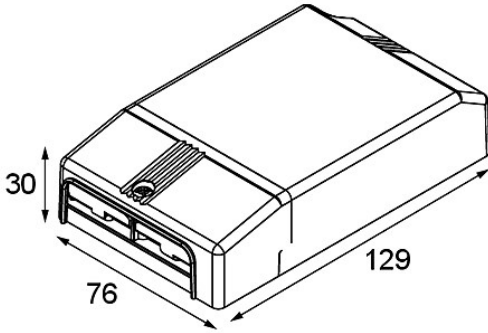


Date
Customer
Project
Type

*LED Driver Constant Current 0-10V/1-10V/Push-Dim/DALI 1050-2100mA 45-55W*



**Specifications**

Material	12404030
Lamp Included	No
Number of Light Sources	0
Electrical Class	II
IP Rating	20
Glow wire rating (°C)	960
Dimming Protocol	0-10V, 1-10V, Push-Dim, DALI
DALI Standard	DALI-2
Indoor/Outdoor	Indoor
Adjustability	Not Applicable
Gross weight (g)	247.0
Input voltage	220-240V AC / 50-60Hz
Ambient temperature	-25°C to +50°C
Power factor	0.95
Driver fits through cut-out hole (mm)	90.0
Driver dimming technology	PWM
Driver 2x LED output	No
Max. drivers on MCB 16A type B	15