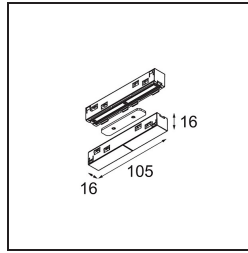
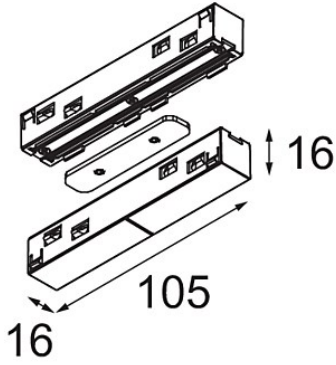


Date
Customer
Project
Type

Track 48V High Connection 180° Up/Down Electrical/Mechanical (For Suspended Mounting) Black Structure



Specifications

Material	12360532
Lamp Included	No
Number of Light Sources	0
Light Direction	Up/Down
Input Voltage	48Vdc
Electrical Class	III
IP Rating	20
Glow wire rating (°C)	960
Indoor/Outdoor	Indoor
Adjustability	Not Applicable
Primary Colour & Primary Finish	Black, Structure
Gross weight (g)	85.0