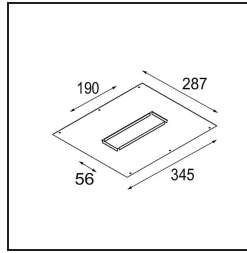
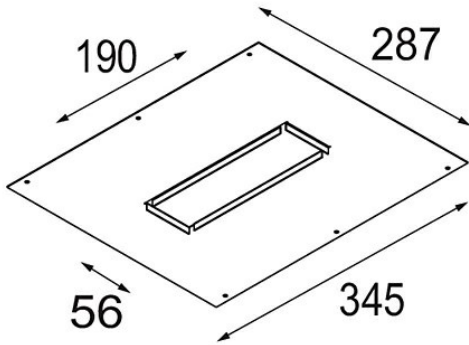


Date _____
 Customer _____
 Project _____
 Type _____

Plaster Kit 345x287 - 190x56 1x



Specifications

Material	12291930
Lamp Included	No
Number of Light Sources	1
IP Rating	20
Glow wire rating (°C)	960
Indoor/Outdoor	Indoor
Application	Ceiling, Wall
Adjustability	Not Applicable
Gross weight (g)	744.0