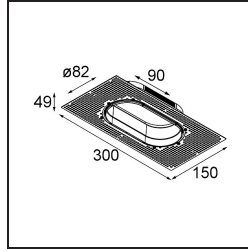
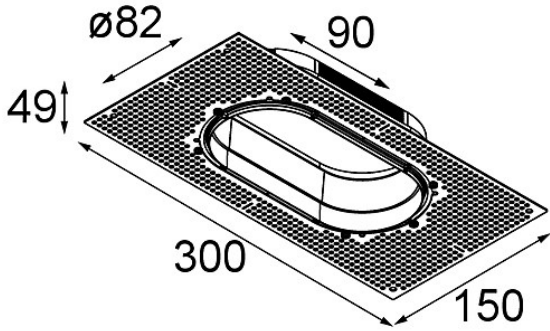


Date _____
 Customer _____
 Project _____
 Type _____

Plaster Kit Trimless 300x150 - 82 2x



Specifications

Material	12293530
Lamp Included	No
Number of Light Sources	2
IP Rating	20
Glow wire rating (°C)	960
Indoor/Outdoor	Indoor
Application	Ceiling, Wall
Adjustability	Not Applicable
Gross weight (g)	455.0