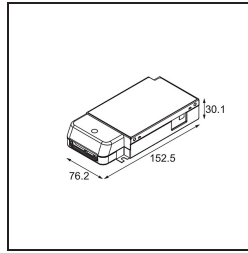
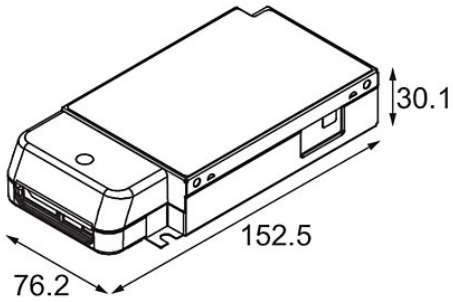


Date
Customer
Project
Type

*LED Driver Constant Current Deep Dim 0-10V/1-10V 700mA 50W 2 LED Output WD*



**Specifications**

Material	11631130
Lamp Included	No
Number of Light Sources	0
Electrical Class	II
IP Rating	20
Glow wire rating (°C)	960
Dimming Protocol	0-10V, 1-10V
Indoor/Outdoor	Indoor
Adjustability	Not Applicable
Gross weight (g)	293.0
Input voltage	120-255V AC / 50-60Hz
Ambient temperature	-20°C to +50°C
Power factor	0.9
Driver fits through cut-out hole (mm)	84.0
Driver dimming technology	AM
Driver 2x LED output	Yes
Max. drivers on MCB 16A type B	22
Remark	<ul style="list-style-type: none"> <li>• LED driver with 2 output channels, max. 55Vdc per channel</li> </ul>