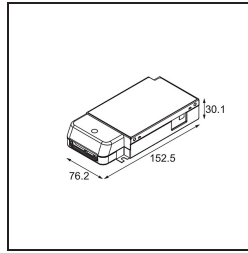
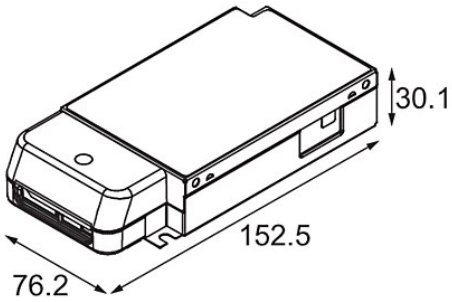


Date
Customer
Project
Type

LED Driver Constant Current Deep Dim DALI 700mA 50W 2 LED Output WD



Specifications

Material	11630830
Lamp Included	No
Number of Light Sources	0
Electrical Class	II
IP Rating	20
Glow wire rating (°C)	960
Dimming Protocol	DALI
DALI Standard	DALI-2
Indoor/Outdoor	Indoor
Adjustability	Not Applicable
Gross weight (g)	293.0
Input voltage	120-255V AC / 50-60Hz
Ambient temperature	-20°C to +50°C
Power factor	0.9
Driver fits through cut-out hole (mm)	84.0
Driver dimming technology	AM
Driver 2x LED output	Yes
Max. drivers on MCB 16A type B	22
Remark	<ul style="list-style-type: none"> • LED driver with 2 output channels, max. 55Vdc per channel