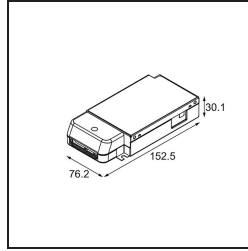
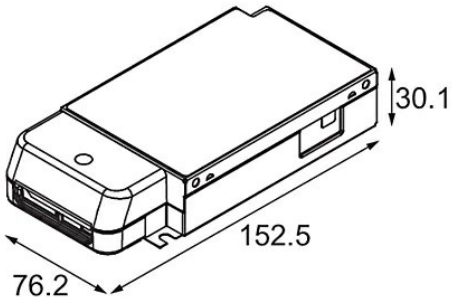


|          |
|----------|
| Date     |
| Customer |
| Project  |
| Type     |

*LED Driver Constant Current Deep Dim DALI 350mA 50W 2 LED Output WD*



**Specifications**

|                                       |   |
|---------------------------------------|---|
| Material                              | 11630630  |
| Lamp Included                         | No  |
| Number of Light Sources               | 0   |
| Electrical Class                      | II  |
| IP Rating                             | 20  |
| Glow wire rating (°C)                 | 960   |
| Dimming Protocol                      | DALI  |
| DALI Standard                         | DALI-2  |
| Indoor/Outdoor                        | Indoor  |
| Adjustability                         | Not Applicable  |
| Gross weight (g)                      | 293.0   |
| Input voltage                         | 120-255V AC / 50-60Hz   |
| Ambient temperature                   | -20°C to +50°C  |
| Power factor                          | 0.9   |
| Driver fits through cut-out hole (mm) | 84.0  |
| Driver dimming technology             | AM  |
| Driver 2x LED output                  | Yes   |
| Max. drivers on MCB 16A type B        | 22  |
| Remark                                | <ul style="list-style-type: none"> <li>• LED driver with 2 output channels, max. 55Vdc per channel</li> </ul> |