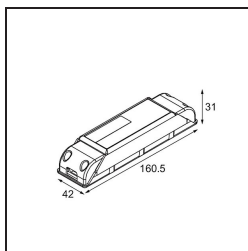
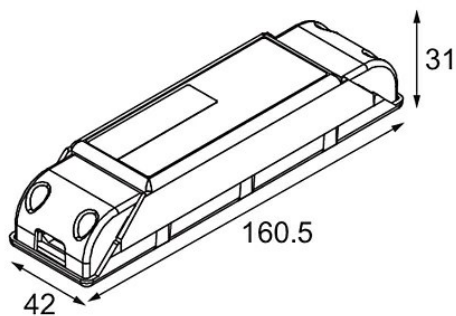


Date

Customer

Project

Type

LED Driver Constant Current Deep Dim DALI 350mA 20W

Specifications

| | |
|--|-----------------------|
| Material | 11630030 |
| Lámpara Incluida | No |
| Número de fuentes de luz | 0 |
| Clasificación eléctrica | II |
| Clasificación del IP | 20 |
| Clasificación de hilo incandescente (°C) | 960 |
| Protocolo de regulación | DALI |
| DALI Standard | DALI-2 |
| Interio/Exterior | Interior |
| Ajustabilidad | Not Applicable |
| Peso bruto (g) | 125,0 |
| Voltaje de entrada | 198-264V AC / 50-60Hz |
| Temperatura ambiente | -20°C to +50°C |
| Factor de potencia | 0,95 |
| Driver fits through cut-out hole (mm) | 54,0 |
| Driver dimming technology | AM |
| Driver 2x LED output | No |
| Max. drivers on MCB 16A type B | 106 |