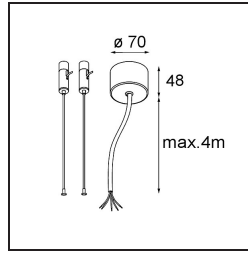
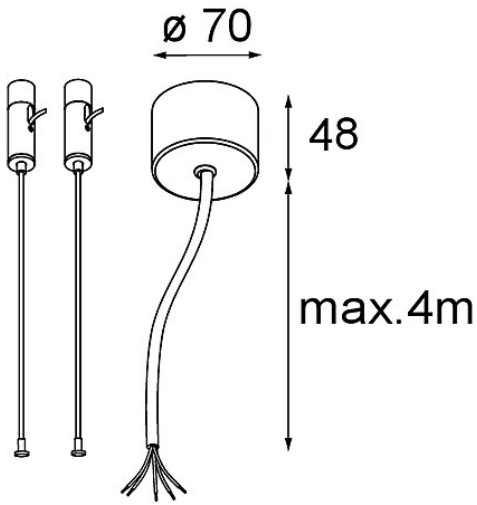


Date
Customer
Project
Type

FFD_Power Feed and Suspension Kit 4000 Round 5P United (2) Straight Black Structure



Specifications

Material	11061732
Lamp Included	No
Number of Light Sources	0
Input Voltage	230V
Electrical Class	I
IP Rating	20
Glow wire rating (°C)	960
Indoor/Outdoor	Indoor
Application	Ceiling
Adjustability	Not Applicable
Primary Colour & Primary Finish	Black, Structure
Gross weight (g)	530.0