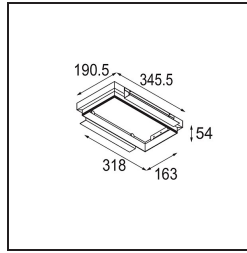
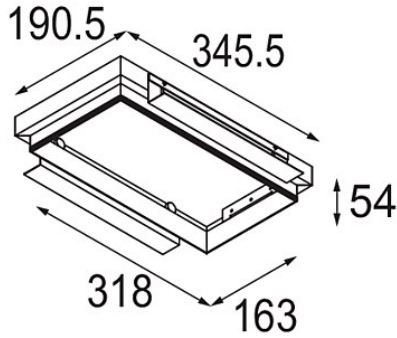


Date _____
Customer _____
Project _____
Type _____

FFD_Plaster Kit Trimless 345x190 - 318x163 2x



Specifications

Material	10450230
Lamp Included	No
Number of Light Sources	2
IP Rating	20
Glow wire rating (°C)	960
Indoor/Outdoor	Indoor
Application	Ceiling, Wall
Adjustability	Not Applicable
Gross weight (g)	745.0