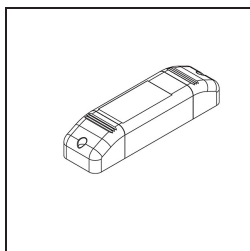
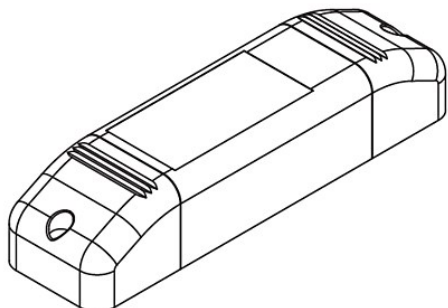


Date
Customer
Project
Type

LED Driver Constant Current Non-Dim 450-600mA 25W



Specifications

Material	13553030
Lamp Included	No
Number of Light Sources	0
Input Voltage	230V
Electrical Class	II
IP Rating	20
Dimming Protocol	Non-Dim
Indoor/Outdoor	Indoor
Gross weight (g)	108.0
Input voltage	220-240V AC / 50-60Hz
Ambient temperature	-20°C to +45°C
Power factor	0.95
Driver fits through cut-out hole (mm)	48.0
Driver dimming technology	NON-DIM
Driver 2x LED output	No
Max. drivers on MCB 16A type B	50