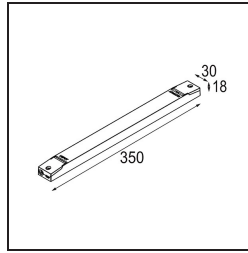
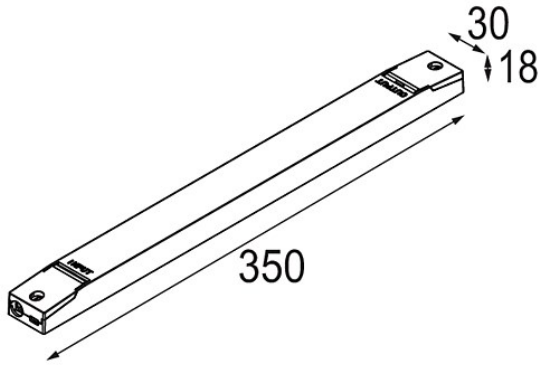


Date _____
Customer _____
Project _____
Type _____

LED Driver Constant Voltage 24V DALI/Push-Dim 100W



Specifications

Material	98000003
Lamp Included	No
Number of Light Sources	0
Input Voltage	230V
Electrical Class	II
IP Rating	20
Dimming Protocol	DALI, Push-Dim
DALI Standard	DALI-2
Indoor/Outdoor	Indoor
Adjustability	Not Applicable
Gross weight (g)	0.001
Input voltage	220-240V AC / 50-60Hz
Power factor	0.95
Max. drivers on MCB 16A type B	11