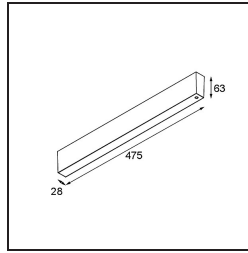
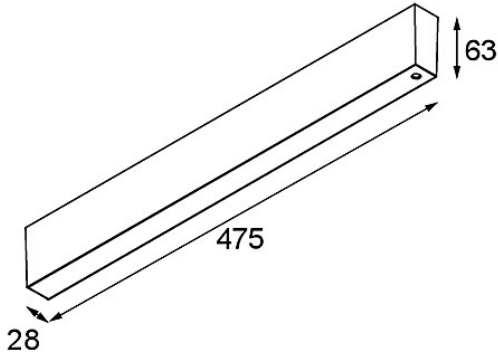


Date \_\_\_\_\_  
Customer \_\_\_\_\_  
Project \_\_\_\_\_  
Type \_\_\_\_\_

*LED Driver Constant Voltage 48V Surface (For Suspended Mounting) 150W Black Structure*



**Specifications**

Material	13456132
Lamp Included	No
Number of Light Sources	0
Input Voltage	230V
Electrical Class	II
IP Rating	20
Glow wire rating (°C)	960
Indoor/Outdoor	Indoor
Mounting	Surface
Adjustability	Not Applicable
Primary Colour & Primary Finish	Black, Structure
Gross weight (g)	1341.0
Input voltage	220-240V AC / 50-60Hz
Ambient temperature	-25°C to +45°C
Power factor	0.95
Max. drivers on MCB 16A type B	8