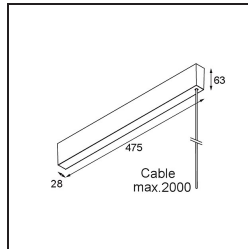
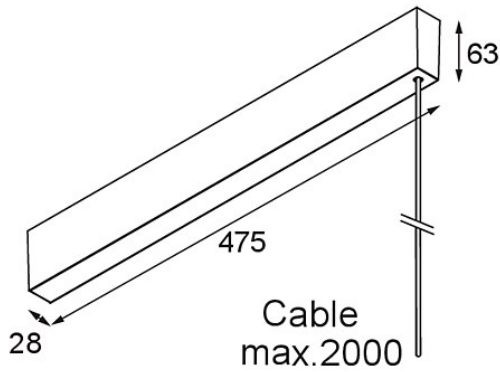


Date
Customer
Project
Type

LED Driver Constant Voltage 24V Surface (For Suspended Mounting) DALI/Push-Dim 100W (Incl. Power Feed Cable 2000) White Structure



Specifications

Material	13551709
Lamp Included	No
Number of Light Sources	0
Input Voltage	230V
IP Rating	20
Dimming Protocol	DALI, Push-Dim
Indoor/Outdoor	Indoor
Mounting	Surface
Adjustability	Not Applicable
Primary Colour & Primary Finish	White, Structure
Gross weight (g)	1158.0