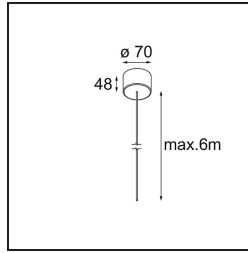
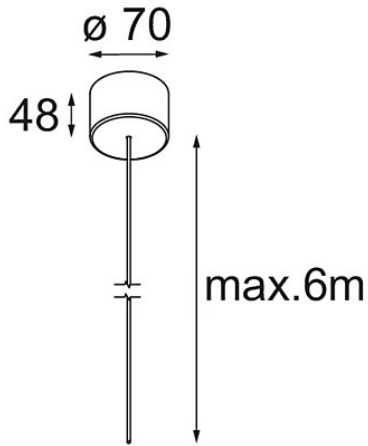


Date
Customer
Project
Type

Power Feed Canopy Surface DE (Incl. Power Feed Cable 6000) Black Structure



Specifications

Material	13720332
Lamp Included	No
Number of Light Sources	0
Electrical Class	III
IP Rating	20
Glow wire rating (°C)	960
Indoor/Outdoor	Indoor
Application	Ceiling
Mounting	Surface
Adjustability	Not Applicable
Primary Colour & Primary Finish	Black, Structure
Gross weight (g)	245.0