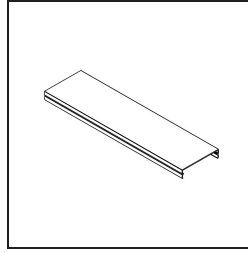
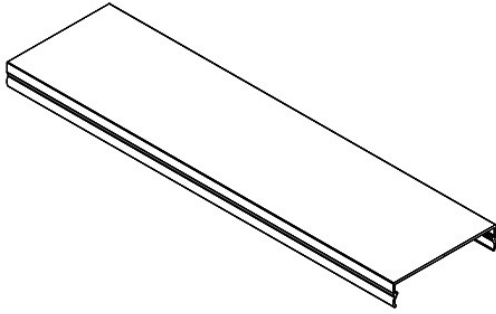


Date \_\_\_\_\_  
Customer \_\_\_\_\_  
Project \_\_\_\_\_  
Type \_\_\_\_\_

*Drupl70 Back Cover White Structure /m*



**Specifications**

Material	93540109
Number of Light Sources	0
IP Rating	20
Indoor/Outdoor	Indoor
Primary Colour & Primary Finish	White, Structure
Gross weight (g)	0.001

Specifications