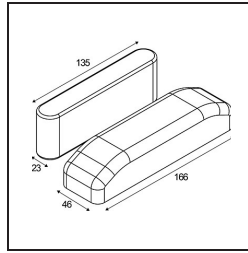
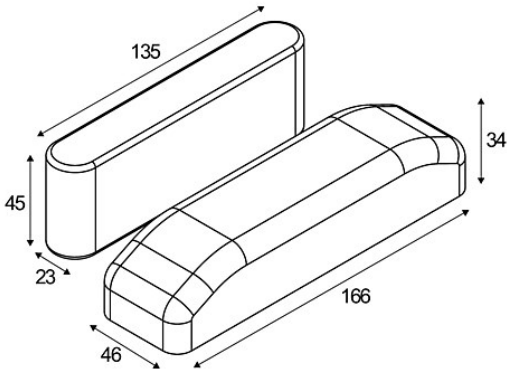


Date _____
 Customer _____
 Project _____
 Type _____

Back-Up Unit Constant Current 1h DE



Specifications

Material	12400210
Number of Light Sources	0
IP Rating	20
Indoor/Outdoor	Indoor
Gross weight (g)	212.0